

IA-3308-U 8 Relays USB Controlled Module



INTRODUCTION

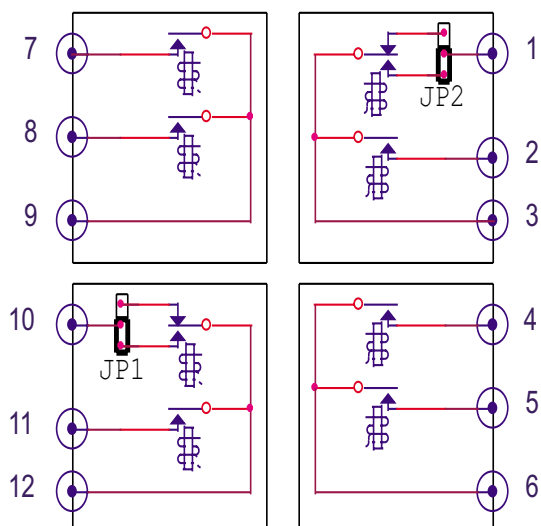
The IA-3308-U is a tiny and intelligent 8 relays module, powered and controlled by any USB port.

On up to 2 relays the N.C. contact may be chosen as relays output instead of the N.O. contact, by an internal jumper. The common line is shared between each 2 relays, to ease the wiring efforts.

The IA-3308-U is one of the IA-33xx Tiny Modules Series, providing 8 relays, with a powerhandling capability of 1AMP @ 30VDC, while status of each relay is locally displayed and may be easily set by supplied software.

The module is software compatible to the IA series.

WIRING DIAGRAM



FEATURES

- 8 Relays.
- USB Powered and Controlled.
- N.C. Output option.
- Small footprint.
- Din Rail Mounted.
- Relay Status LEDs.

SPECIFICATIONS

Control Port

Communication Method: USB
Default BR: 19200,8,n,1

Relay Output:

Relay Type: SPSTx6, SPDTx2
Contact Rating: 1A @ 30VDC
Relay ON Time: 5 mS
Relay OFF Time: 5mS
Channels: 8

GENERAL

Supply Voltage: USB Powered
Module size: 110x52x20
Weight: 85 gr

ORDERING

- IA-3308-U - 8 Relays, USB Controlled Module and USB cable.